

features & benefits

Axial flow plate fan for wall mounting

For use in the building services sector, warehousing, restaurants, sports halls, industrial units, schools, kitchen extract and the agricultural market.

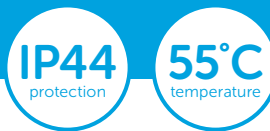
Fully speed controllable

Integral IP54 terminal box and motor side guard

Single phase 220V to 240V / 50Hz

HPA

Axial Flow Fan



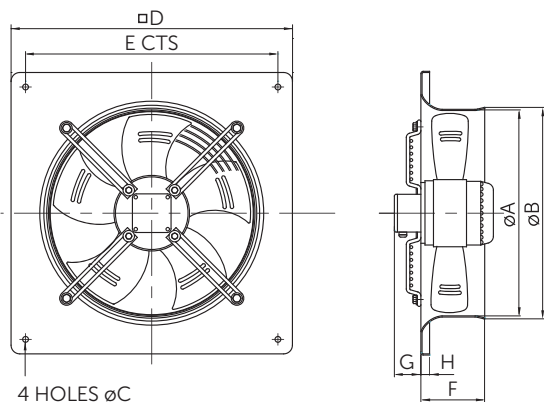
SINGLE Phase

220 - 240V / 50Hz

	Speed r/min	Airflow m ³ /s @ Static Pressure Pa.								Overall Eff. %	FMEG	kW	FLC	dBA @ 3m
		0	25	50	75	100	125	150	175					
HPA250/2-1A	2760	0.308	0.283	0.229	0.154					15.4	<125W	0.083	0.37	51
HPA250/4-1A	1458	0.215	0.131							7.4	<125W	0.049	0.23	46
HPA315/4-1A	1377	0.364	0.324	0.266	0.200	0.150				15.3	<125W	0.108	0.50	49
HPA400/4-1A	1395	1.076	0.972	0.883						29.2	N40	0.187	0.86	68
HPA400/6-1A	934	0.779	0.628	0.301						15.3	<125W	0.128	0.56	49
HPA450/4-1A	1339	1.466	1.352	1.226	1.080	0.890				30.6	N40	0.303	1.34	68
HPA450/6-1A	919	0.915	0.751	0.447						23.7	<125W	0.119	0.53	51
HPA500/4-1A	1339	1.888	1.775	1.636	1.490	1.328	1.118			33.3	N42	0.443	1.97	72
HPA630/4-1A	1346	2.999	2.882	2.755	2.620	2.478	2.326	2.154	1.928	35.4	N41	1.199	5.56	78

Overall static efficiency, r/min and FMEG values are as per ISO 12759 installation category "A" (Without guard grill)

dimensional drawing



dimensions

	A	B	C	D	E	F	G	H	Weight (kg)
HPA250	260	280	7	370	320	90	60	15	3.0
HPA315	315	335	10	430	380	90	60	15	3.3
HPA400	410	430	10	540	490	110	60	15	7.2
HPA450	460	480	10	575	535	110	60	15	7.2
HPA500	510	530	10	655	615	115	60	15	9.5
HPA630	640	660	10	805	750	125	60	15	15.0

Dimensions in mm.

accessories

	Louvre Shutters	Single Phase Electronic Controller	Single Phase Transformer Voltage Controller	Single Phase 3 Speed Controller
HPA250/2-1A	HLVS315	HFC1.7	TC012	HFT1.7
HPA250/4-1A	HLVS315	HFC1.7	TC012	HFT1.7
HPA315/4-1A	HLVS350	HFC1.7	TC012	HFT1.7
HPA400/4-1A	HLVS450	HFC1.7	TC012	HFT1.7
HPA400/6-1A	HLVS450	HFC1.7	TC012	
HPA450/4-1A	HLVS500	HFC1.7	TC012	HFT1.7
HPA450/6-1A	HLVS500	HFC1.7	TC012	
HPA500/4-1A	HLVS560	HFC3.0	TC014	HFT1.7
HPA630/4-1A	HLVS710	HFC6.0	TC018	